



1.5 Ton Rubber Track Undercarriage



Bonny Hydraulics is China manufacturer & supplier who mainly produces 1.5 Ton Rubber Track Undercarriage with many years of experience. Hope to build business relationship with you.

BONNY HYDRAULICS is a specialized 1.5 Ton Rubber Track Undercarriage manufacturer and supplier in China. We have been specialized in designing and manufacturing the 1.5 Ton Rubber Track Undercarriage for more than 15 years. Besides 1.5 Ton Rubber Track Undercarriage, we can offer the track undercarriage with payload ranges from 500 kgs to 80,000 kgs. The dimension can be customized design based on real application of customer's. Since the establishment of Bonny, we keep the whole world in view and blaze steadily new trails. By now, we have developed various Custom Built Track Undercarriage and the load capacity is from 0.5 ton to 80 ton. Meanwhile, we have a lot of experience engineers who can provide you technical support and technical consultancy to meet your needs.

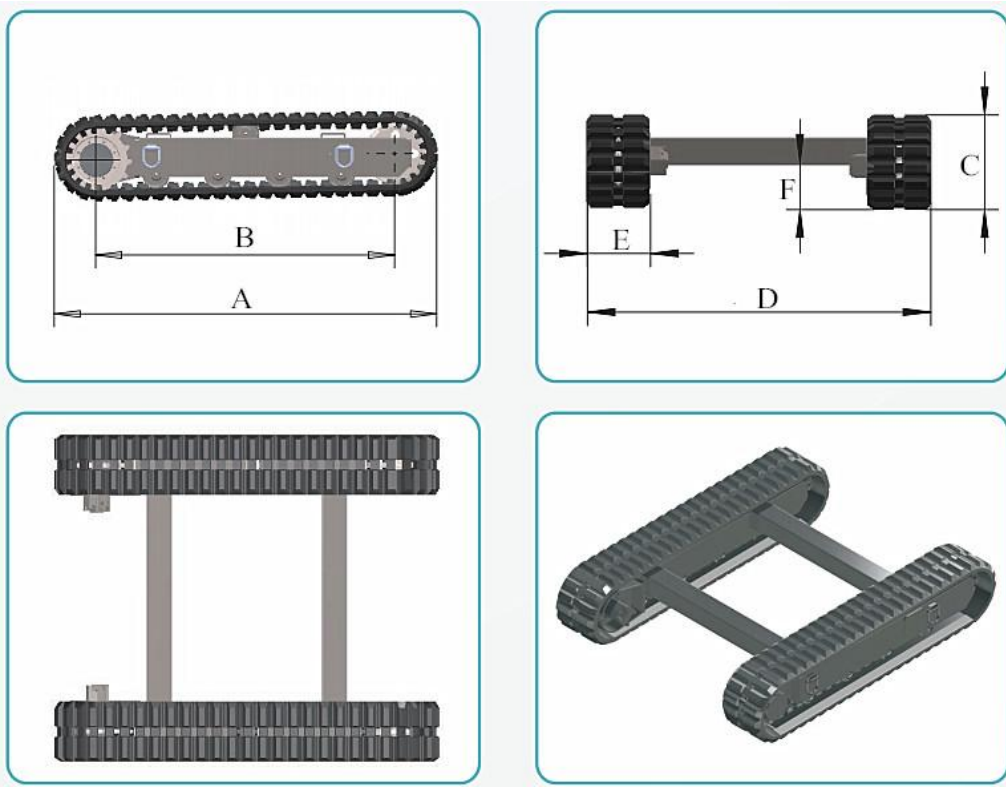
Features of Custom Built 1.5 ton rubber track undercarriage

1. Adopt high strength engineering rubber track.
2. The track motor of rubber track undercarriage can be fixed displacement or variable displacement concealed planetary gearbox and hydraulic motor. If you need, we can also provide track motor made by our own factory.
3. The beam of 1.5 ton rubber track undercarriage is made of Q345B with high loading capacity.
4. It can also be designed and manufactured on customers' request for the rubber track undercarriage.

Technical parameters of rubber track undercarriage

MODEL	Dynamic capacity	Static capacity	Weight kg.	Press.Bar	oil flow L/min	Torque Nm to engine	Grad.	Speed km/h

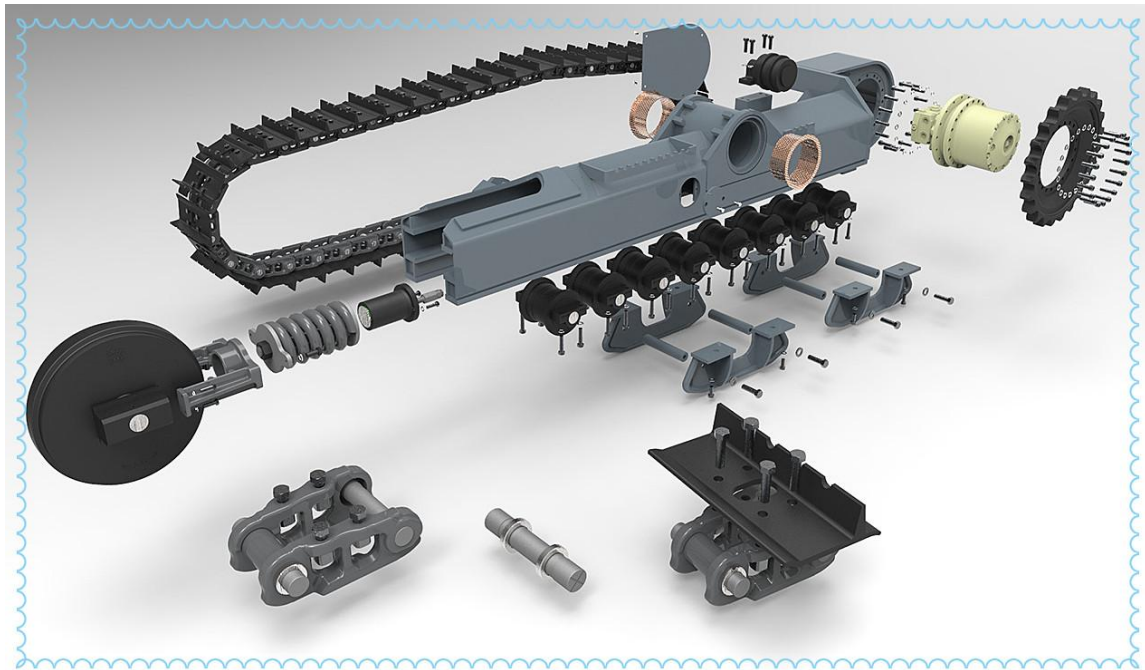
RT-1500	1200	1500	330	270	17	2000	65%	1.7
RT-2500	2500	3000	380	220	35	4723	65%	2/3.2
RT-3500	3500	4000	650	220	35	4723	65%	2/3.5
RT-5000	5000	6000	900	220	55	8330	65%	2/3.7
RT-6000	6000	7000	1280	220	55	8330	65%	2/3.7
RT-8000	8000	9500	1550	300	82	11700	65%	2.8/4.7



MODEL	A Length	B Center Distance	C Height	D Total Width	E Width of track shoe	F Height of Cross beam	No. of roller
RT-1500	1420	1066	350	980	230	165	3+3
RT-2500	1850	1370	480	1220	250	245	4+4
RT-3500	1980	1511	500	1520	300	250	5+5

RT-5000	2500	1950	550	1800	350	265	6+6
RT-6000	2905	2355	550	1800	400	265	7+7
RT-8000	2950	2450	600	1800	400	310	7+7

Structure of track undercarriage



Type of track undercarriage for selection:

- A. Steel track undercarriage;
- B. Rubber track undercarriage;
- C. Steel track undercarriage with rubber pads



Application of Custom Built 1.5 ton rubber track undercarriage Drilling machine:

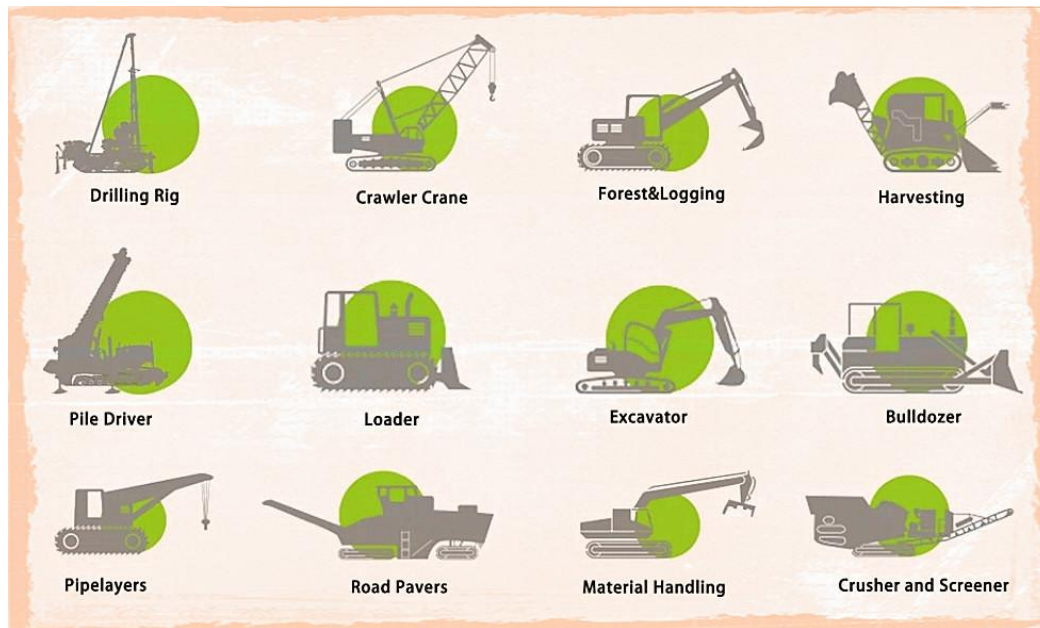
Anchor drilling rig, water well drilling rig, core drilling rig, Jet drilling rig, down-hole drilling rig, hydraulic crawler drilling rig, for poling rig, multipurpose drilling rig, no-dig drilling rig, etc.

Construction machinery machine: mini excavator, mini pilling machine, Aerial work platform, Small transport loading equipment, etc.

Coaling machine: slag-raking machine, tunnel drilling rig, hydraulic drilling machine, rock loader, etc

Mining machine: mobile crusher, heading machine, conveying equipment, etc.

Agriculture machine: Sugar cane harvester, lawn mower, compost turner, ditching machine, etc



Type of cross member for selection



Package of 1.5 ton rubber track undercarriage



Strict Quality Control

